

MEGA PIXEL HD-SDI IR BULLET CAMERA



CT-HD4125PIR

MEGA PIXEL HD-SDI IR BULLET CAMERA



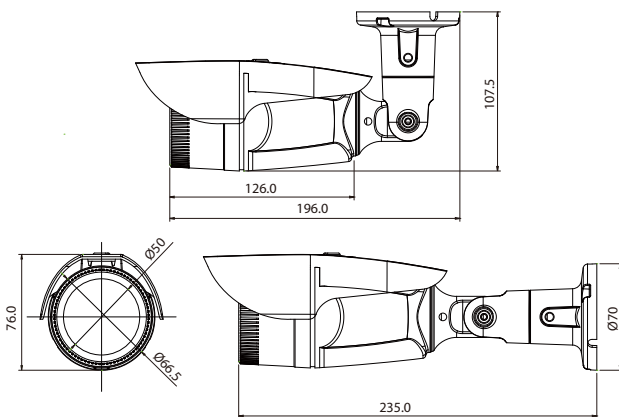
Main Features

- 2.2M 1080P Full HD with SONY EXMOR CMOS
- 1,100TV Lines (Resolution)
- 3.6mm Mega Lens
- True Day & Night (ICR)
- Output:
 - Digital Output:HD-SDI
 - Analog Output : NT, PAL Composite
- Built-in IR LED 30pcs (Night View Distance 30m)
- Weatherproof (IP67)
- Optional :
 - OSD controller



Dimensions

unit : mm



Specifications

Model	CT-HD4125PIR
Image Sensor	1/2.8" SONY EXMOR CMOS
Total Pixels	1952(H) x 1116(V) = 2.18M pixels
Active pixels	1936(H) x 1096(V) = 2.12M pixels
Scanning system	Progressive
Resolution	Digital ; 1920x1080p(1080p/30fps) , 1280x720p(720p/60fps) Analog : 700TVL
Min. illumination	Color : 1.0 lux , BW : 0.5lux
Video Output	HD-SDI, BT.1120 Analog : NTSC, PAL
S/N Ratio	more than 50dB (AGC off)
Analogue	NTSC, PAL CVBS
HD-SDI(SMA CONNECTOR)	Video Output
Day & Night System	ICR
IR LED	30 pcs
Night View Distance	Outdoor 30m
Lens	3.6mm Mega Lens
Cable	5C-2V 120m(Max)
Power Source	DC12V±10% , AC24V±10%
Power Consumption	DC12V 510mA / AC 24V 220mA
Operating Temperature	-10℃ ~50℃ (Humidity : 0%RH ~ 80%RH)
Storage Temperature	-20℃ ~60℃ (Humidity : 0%RH ~ 80%RH)
Dimension(mm)	66(Ø) x 126(H)
Weight	Approx. 0.75kg