

HIGH RES. DAY & NIGHT IR BULLET CAMERA



CT-560PIR

DAY & NIGHT IR BULLET CAMERA



Main Features

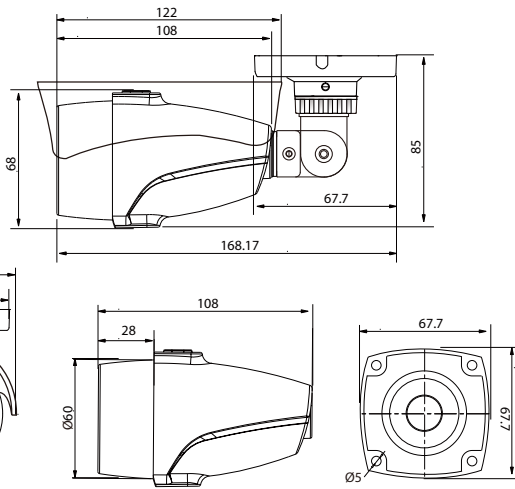
- 1/3" 410K Color IT CCD
- 600TV Lines (Resolution)
- 3.6mm IR Lens
- Day & Night
- 2D DNR(Digital Noise Reduction)
- Built-in IR LED 24pcs (Night View Distance: 15m)
- Weatherproof (IP67)



Specifications

Dimensions

unit : mm



Model	CT-560PIR
TV System	PAL
Sensor	1/3" 410K Color IT CCD
Total Pixels	(H)795 x (V)596
Effective Pixels	(H)752 x (V)582
Synchronization	H/V 15.625KHz/50Hz
Scanning System	2:1 Interlace
Horizontal Resolution	600 TV Lines(Max.) / 700 TV Lines(B/W)
Min. Illumination	Color : 0.1Lux, IR LED On : 0.00Lux, F1.2, 30IRE
Video Output	1.0Vp-p/75ohm Video 0.71Vp-p
γ Correction	0.45
S/N	More than 48dB
Electrical Shutter	1/50~1/100,000sec.
Lens	3.6mm IR Lens
IR LED	24 pcs
Night View Distance	Outdoor : 15m
Operating Temperature/Humidity	-20℃ ~60℃ / 30% ~80%
Storage Temperature/Humidity	-30℃ ~60℃ / 20% ~90%
Power(Max.)	DC 12V, 400mA
Dimension(mm)	60(∅) x 108(H)
Weight	Approx. 0.6kg